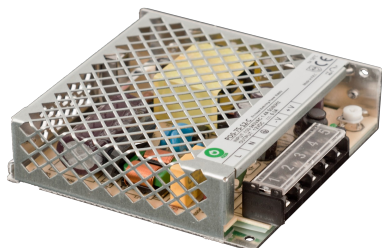


POS-75-XX-C series

75W Switching Power Supply (CV)



POS-75-12-C



POS-75-24-C



■ Features:

- Constant voltage design
- Universal AC input range
- Protections: Short circuit / Overload / Over voltage
- Cooling by free air convection



© ELECTRICAL SPECIFICATION

| MODEL | POS-75-12-C | POS-75-24-C |
|---|--|------------------------------------|
| OUTPUT | | |
| Rated Voltage | 12V | 24V |
| Voltage Adjustment | 11 ÷ 13V | 21.5 ÷ 26.5V |
| Rated Current | 6A | 3.2A |
| Current Range | 0 ÷ 6A | 0 ÷ 3.2A |
| Rated Power | 72W | 76.8W |
| Line Regulation | ± 0.5% | |
| Load Regulation | ± 0.5% | |
| Voltage Tolerance [3] | ± 1% | |
| Ripple & Noise (max.) [2] | 120mV _{p-p} | 210mV _{p-p} |
| Setup, Rise Time [4] | 500ms, 40ms / 230VAC at full load | 2000ms, 40ms / 230VAC at full load |
| Hold up Time (typ.) | 60ms / 230VAC at full load | 30ms / 230VAC at full load |
| INPUT | | |
| Voltage Range | 90 ÷ 264VAC | |
| Frequency Range | 47 ÷ 63Hz | |
| Power Factor (typ.) | PF > 0.6 / 230VAC at full load | |
| Efficiency (typ.) | 90% | 88% |
| AC current (typ.) | 0.85A / 230VAC | 1.0A / 230VAC |
| Inrush current (max.) | 50A / 230VAC(25°C) | |
| No Load Power Consumption (max.) | 0.3W | 0.4W |
| PROTECTIONS | | |
| Over Current | Range: 110 ÷ 150% Type: hiccup mode. Recovers automatically after fault condition is removed. | |
| Short Circuit | Type: hiccup mode. Recovers automatically after fault condition is removed. | |
| Over Voltage | Range: 120 ÷ 145% Type: shut down output voltage. Recovers after restart. | |
| WORKING ENVIRONMENT | | |
| Working Temperature | -20°C ÷ +70°C | |
| Working Humidity | 20 ÷ 90% RH non-condensing | |
| Storage Temperature and Humidity | -20°C ÷ +90°C, 10 ÷ 95% RH non-condensing | |

POS-75-XX-C series

75W Switching Power Supply (CV)



SAFETY AND EMC REGULATIONS

| | |
|--------------------------|---|
| Safety Standards | Compliance to EN60950-1 |
| Withstand Voltage | IN/OUT: 1.5kVAC; IN/GND: 1.5kVAC; OUT/GND: 500VAC |
| EMC Emission | Compliance to EN55032, EN61000-3-2, EN61000-3-3 |
| EMC Immunity | Compliance to EN55024 |

OTHERS

| | |
|---------------------------|--|
| Dimensions | 12V: 99 x 97 x 30mm (L x W x H); 24V: 129 x 97.5 x 30mm (L x W x H) |
| Weight and Packing | 12V: 0.3kg; 50pcs./ctn; ctn weight and dimensions: 15kg; 39 x 35.2 x 22.8cm 24V: 0.3kg; 48pcs./ctn; ctn weight and dimensions: 16.5kg; 44 x 30 x 21cm |

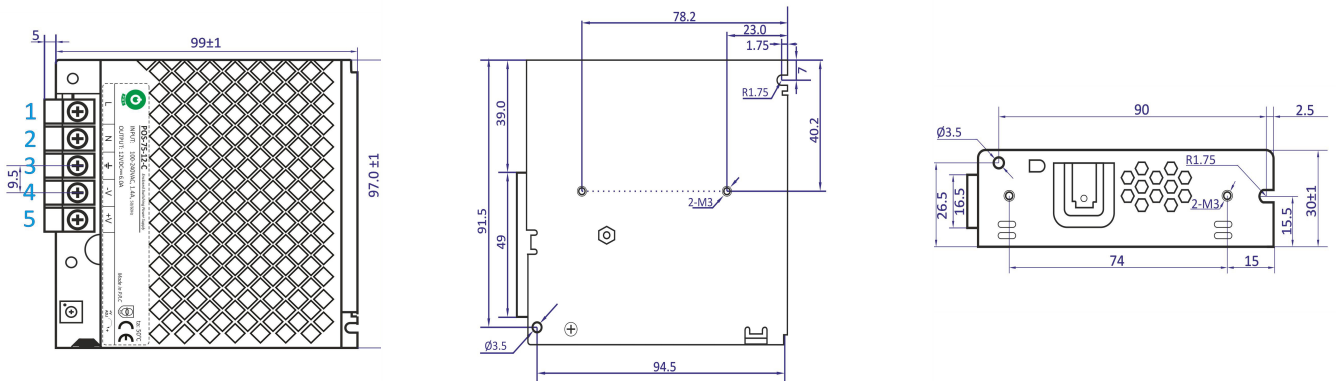
EAN Code



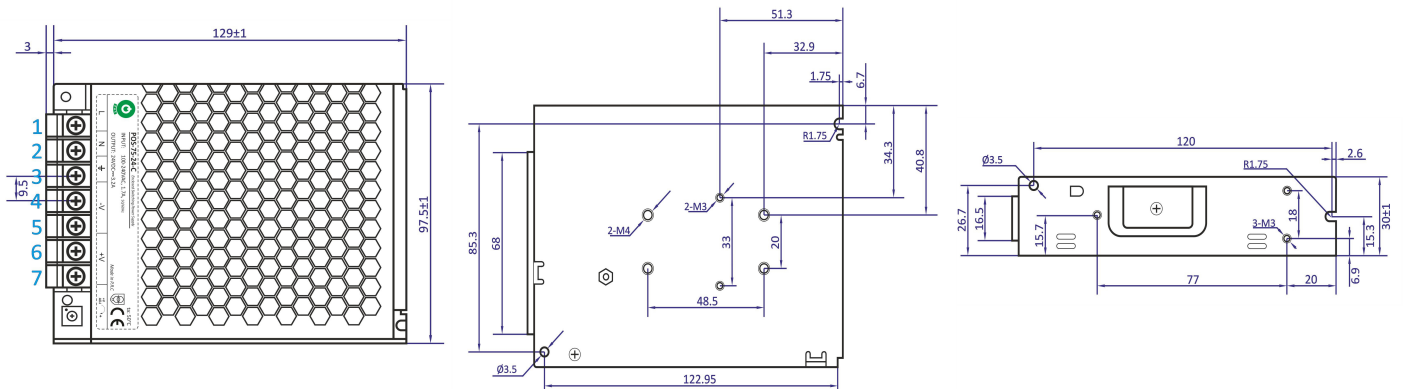
1. All parameters NOT specially mentioned are measured at 230VAC input, rated load and 25°C of ambient temperature.
2. Ripple & noise are measured at 20MHz of bandwidth by using a 12" twisted pair-wire terminated with a 0.1μF i 47μF parallel capacitor.
3. Tolerance includes set up tolerance, line regulation and load regulation.
4. Setup and rise time is measured from 0 to 90% rated output voltage.
5. Power supply is considered as component not indented to apply by end-user. Power supply meets safety and EMC standards however the final equipment with power supply must be re-quality to comply with EMC Directives.

MECHANICAL SPECIFICATION

POS-75-12-C



POS-75-24-C



POS-75-XX-C series

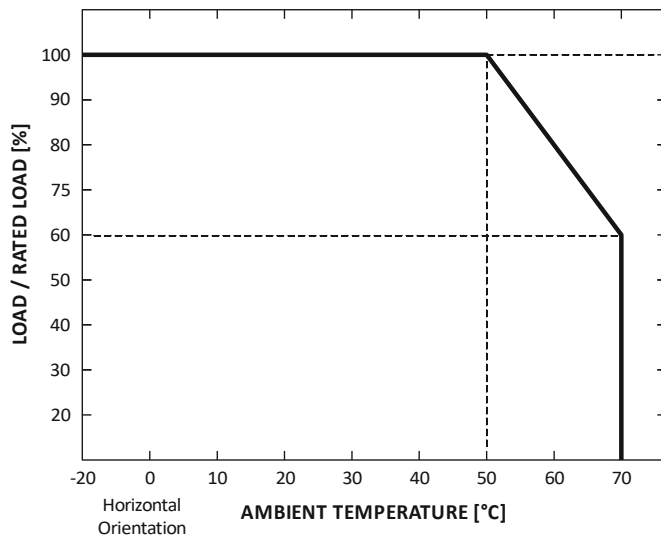
75W Switching Power Supply (CV)



PIN ASSIGNMENT

| No. | Assignment | No. | Assignment |
|-----|-------------|-----------|---------------------------|
| 1 | Input: AC/N | 4,5 | Output: U _{OUT-} |
| 2 | Input: AC/L | 6,7 | Output: U _{OUT+} |
| 3 | GND | RV1, SVR1 | Output voltage adjustment |

⊙ DERATING CURVE



⊙ STATIC CHARACTERISTIC

